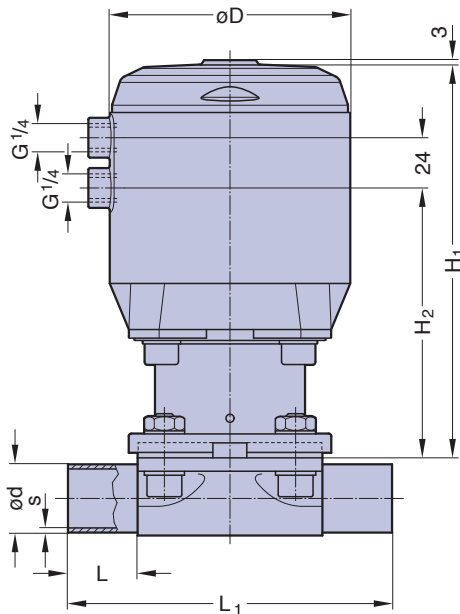


Pneumatically Operated Valve DN 15 - 50 mm (3/4" - 2 1/2")



Cf. 4, 5 & 6



Butt weld ends
MA 25 - 50
Fold out page 21

Features

- Plastic piston actuator with stainless steel distance piece
- Compact design
- Control air connection in flow direction
- CDSA sealing concept, see page 32
- Flexible diaphragm suspension
- Encapsulated diaphragm

Optional

- Available with a wide range of control equipment and accessories see page 132 to 139, also for retrofitting
- Control air connection 90° to flow direction

Technical Data

- Control function (Cf.): Pneumatically operated
 Fail safe close (NC): Cf. 1 & 4
 Fail safe open (NO): Cf. 2 & 5
 Double acting (DA): Cf. 3 & 6
 At control function NO/DA higher control pressure than required may affect the lifetime of the working diaphragm.
- Direction
 Control connection: At Cf. 4, 5 & 6, in flow direction, standard
 At Cf. 1, 2 & 3, 90° to flow direction
- Max. working pressure: Unidirectional ($\Delta p = 100\%$)
 EPDM Diaphragm 10 bar (150 psi)
 PTFE Diaphragm 8 bar (115 psi)
- Higher working pressure may be achieved with different actuator. Please consult a SED factory representative for working pressure above the indicated maximum.
- Max. working temperature: 160°C (320°F) dependent on application
- Control pressure:
 Cf. 1 & 4 4,5 - 7 bar (65 - 100 psi)
 Cf. 2, 3, 5 & 6 4 - 5 bar (60 - 72 psi)
- Diaphragm material: EPDM or PTFE
 Valve body material: Forged 1.4435/ 316 L ASME/BPE
 Investment cast 1.4435/ 316 L
 Other alloys
- End connection: Butt weld ends see fold out page 21
 Clamps and flanges see page 22 to 24
 Special ends
- Actuators suitable for: Two-Way bodies
 Welded configurations
 T-bodies
 Multiport bodies
 Tank bottom bodies
- Flow rate: Kv in m³/h (Cv in GPM) see page 9
 Diaphragm size: MA see table below
 Technical data also valid for multiport valve.

DN (mm)	MA	Dimensions (mm)					Total weight ca. (kg)		Filling volume (NL)	
		L	L ₁	H ₁	H ₂	D	Investment cast	Forged	NC	NO/DA
15-25	25	25	120	160	107	95	1,9	2,0	0,17	0,20
32-40	40	25	153	190	129	115	3,9	4,2	0,31	0,34
50	50	30	173	236	171	144	7,0	8,0	0,68	0,80

Valve type overview see page 26 and 27.
 Ordering key see page 66 to 68.