

## Manual Valve DN 8 - 20 mm (3/8" - 3/4")



### Features

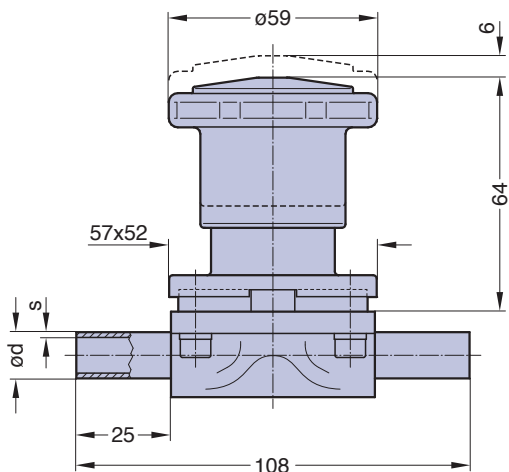
- **Stainless steel bonnet and plastic hand wheel**
- Manual diaphragm Valve with plastic hand wheel is suitable for a limited number of cycles of autoclaving.
- Rising hand wheel
- Sealed bonnet with optical indicator
- Adjustable internal travel stop
- CDSA sealing concept, see page 32
- Flexible diaphragm suspension
- Encapsulated diaphragm

### Technical Data

|                           |  |
|---------------------------|--|
| Control function:         | Manually operated  |
| Max. working pressure:    | 10 bar (150 psi)   |
| Max. working temperature: | 160°C (320°F)<br>dependent on application  |
| Diaphragm material:       | EPDM or PTFE   |
| Body material:            | Forged 1.4435/ 316L ASME/BPE<br>Investment cast 1.4435/ 316L<br>Other Alloys                 |
| End connection:           | Butt weld ends see fold out page 21<br>Clamps and flanges see page 22 to 24<br>Special ends  |
| Bonnets suitable for:     | Two-Way bodies / Welded configurations<br>T- bodies / Multiport bodies<br>Tank bottom bodies |
| Flow rate:                | Kv in m <sup>3</sup> /h (Cv in GPM) see page 9   |
| Diaphragm size:           | MA 10  |
| Weight:                   | ca. 0,6 kg   |

Technical data also valid for multiport valve.

Butt weld ends  
MA 10  
Fold out page 21



Valve type overview see page 26 and 27.  
Ordering key see page 66 to 68.