



Your contact details:

Title:

Name:

Company:

Customer no.

Street:

ZIP/postal
code, city:

Country:

E-mail:

Phone:

Ordering spare parts

The spare parts for Type 3271 are listed on the next pages. This document can also be used for ordering:

1. Fill in your contact data and information on the product.
2. Enter the quantity of spare parts needed.
3. Click [Send form] button to attach the PDF form to an e-mail.
4. Attach additional information (e.g. invoice, photos) to the e-mail, if necessary.
5. Send e-mail to spareparts-de@samsongroup.com.

Either

Configuration ID (Var-ID):

or

SAMSON order no.:

Position in order:

or specifications on the name-
plate

(description of the currently
valid nameplate ► EB 8310-7)

Type number	3271	Fail-safe action
Country of origin		Manual operation
Serial number		Diaphragm material
Actuator area		Connecting thread
Bench range in bar and psi		Date of manufacture
Operating travel in mm		Operating medium
Operating range in bar and psi		
Permissible supply pressure pmax in bar or psi		

Send form

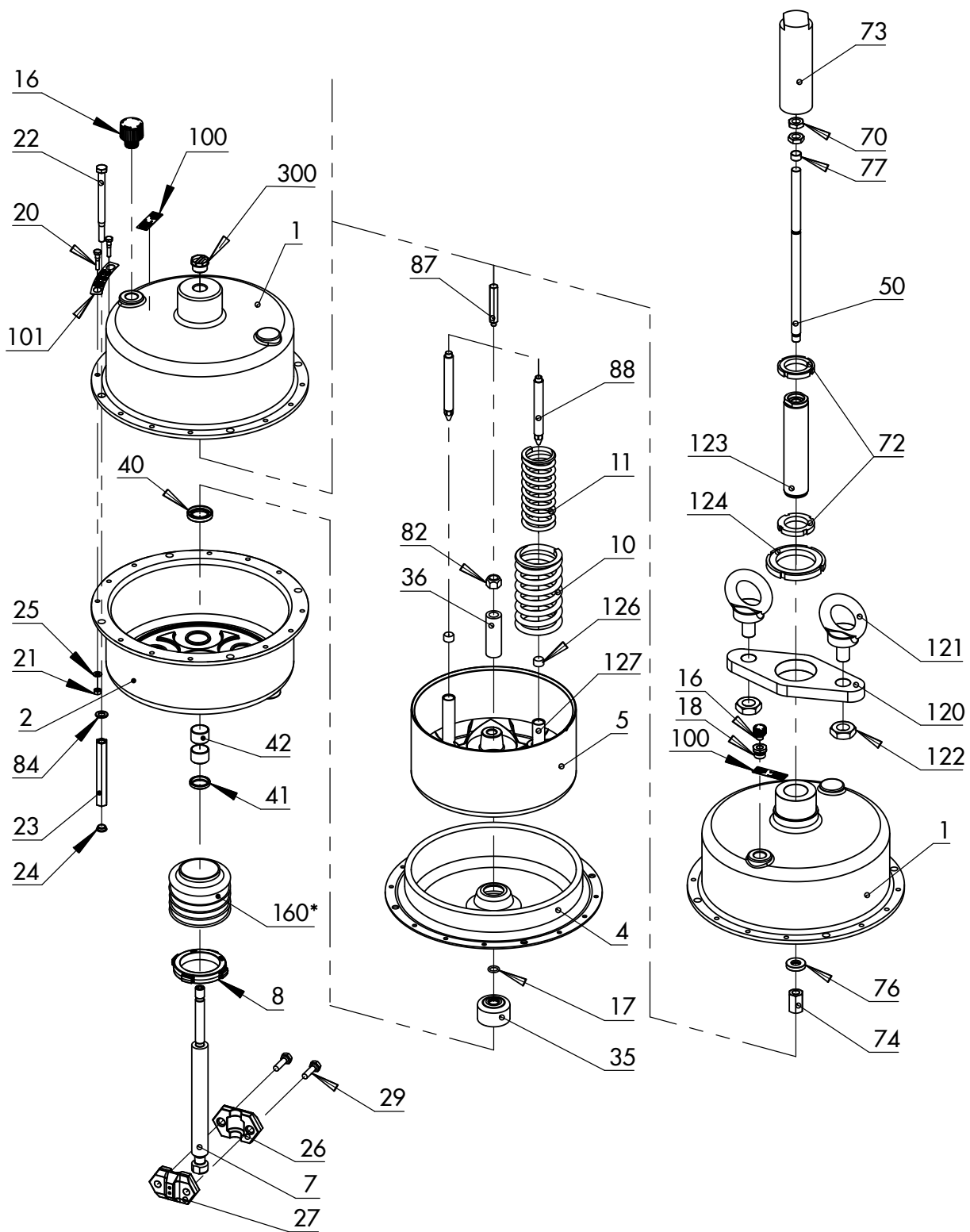
Print form

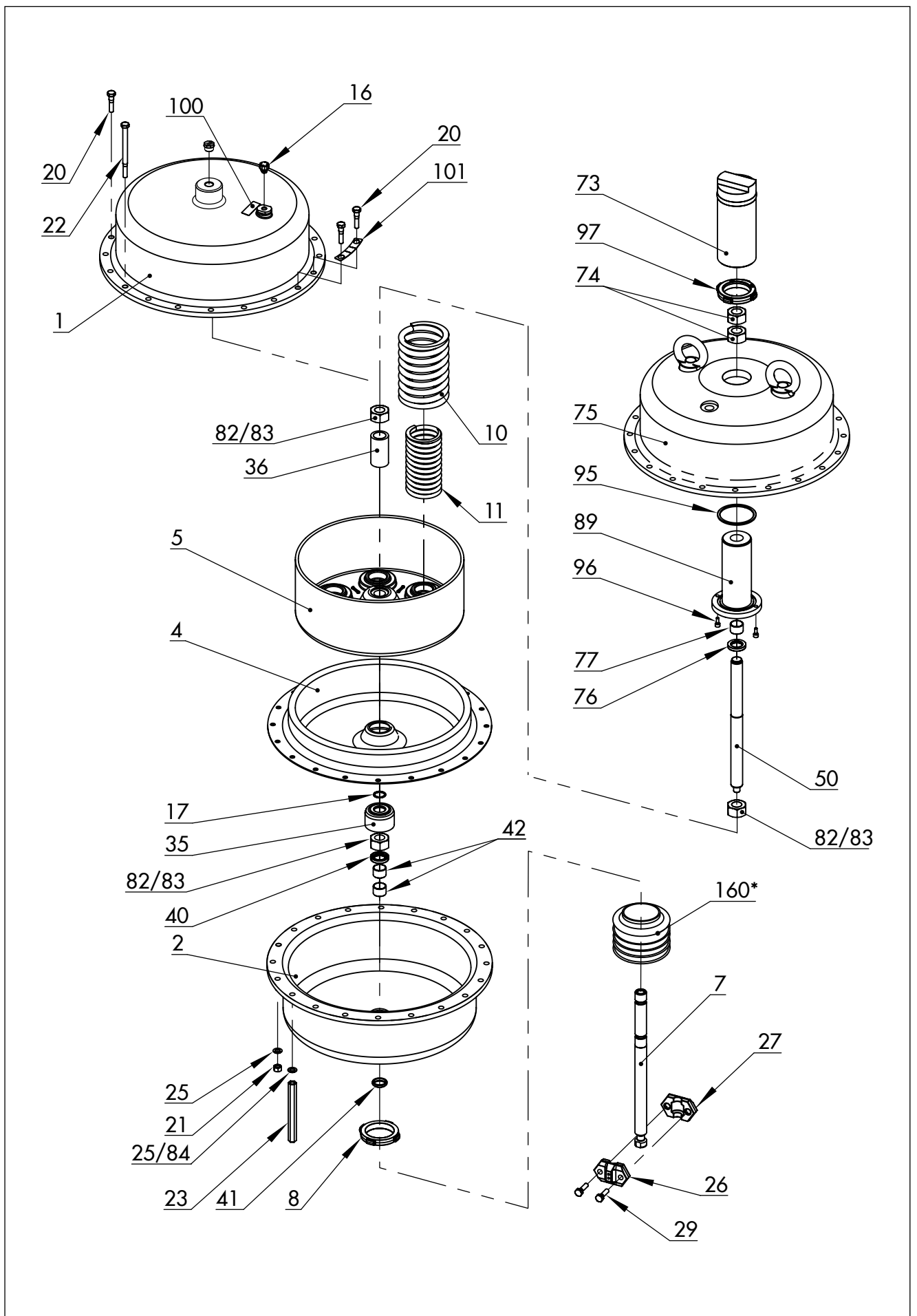
Clear form

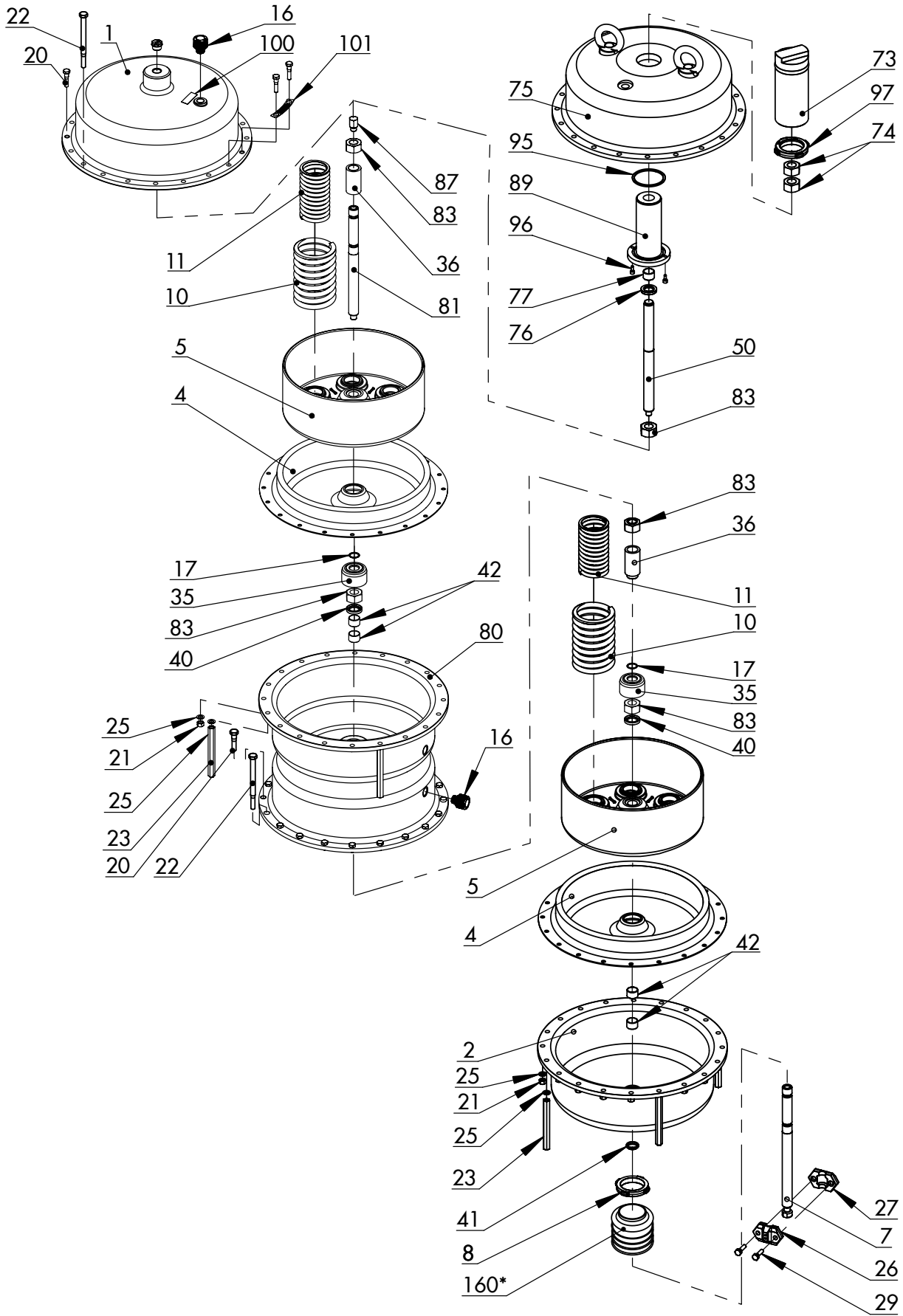
Edition August 2020

Spare Parts List

EL 8310-7 EN







Spare part no.	Qty.	Filled in by SAMSON: material no.
1		
2		
4		
5		
7		
8		
10		
11		
16		
17		
18		
20		
21		
22		
23		
24		
25		
26		
27		
29		
35		
36		
40		
41		
42		
50		
72		
73		
74		
75		
76		
77		
80		
81		

Spare part no.	Qty.	Filled in by SAMSON: material no.
82		
83		
84		
87		
88		
89		
95		
96		
97		
100		
101		
120		
121		
122		
123		
124		
126		
127		
160*		
300		

Specifications subject to change without notice
