



Rotary Plug Valve · Type 72.3

ET019.027 EN

Version	DIN	ANSI
Valve Size	DN 25... 500	NPS 1... 20
Pressure Rating	PN 10, 16, 25, 40	CL 150, 300

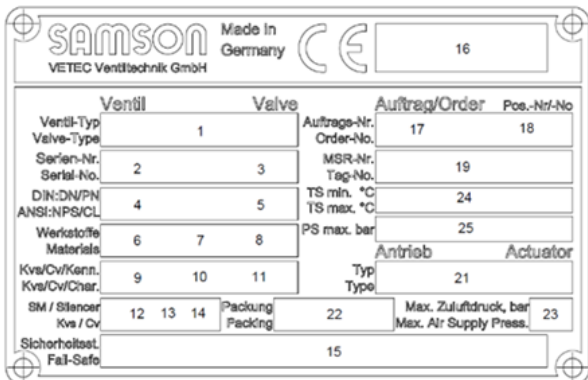
When ordering spare parts, please specify:

- ▶ VETEC order number (indicated on the name plate, marking field 17)
- ▶ VETEC order item (position) (indicated on the name plate, marking field 18)
- ▶ Serial number of the valve (indicated on the name plate, marking field 2)
- ▶ Spare part item number (according to assembly drawing)
- ▶ Spare part designation (according to spare parts list)

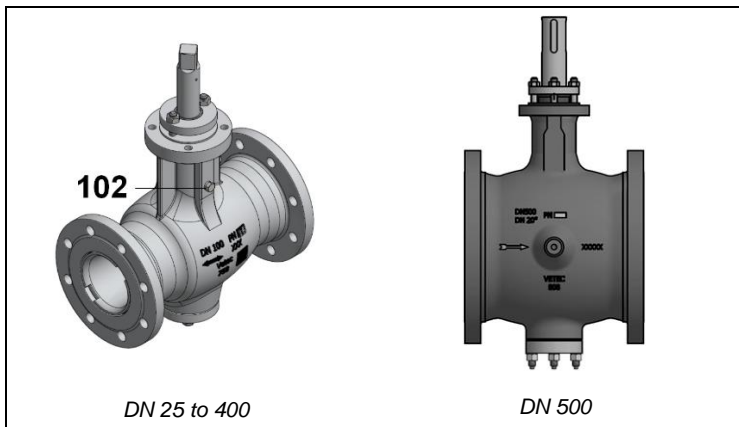
The valves are maintenance free. However, they are subject to natural wear, whose intensity depends on the operating conditions.

Use only original parts from VETEC Ventiltechnik GmbH.

Spare parts/wear parts	Commissioning / 2 years operation / 5 years operation
Spare Parts Availability	10 years



Nameplate No. 11



Detailed parts list / assembly drawing standard valve ▶ ET004.015

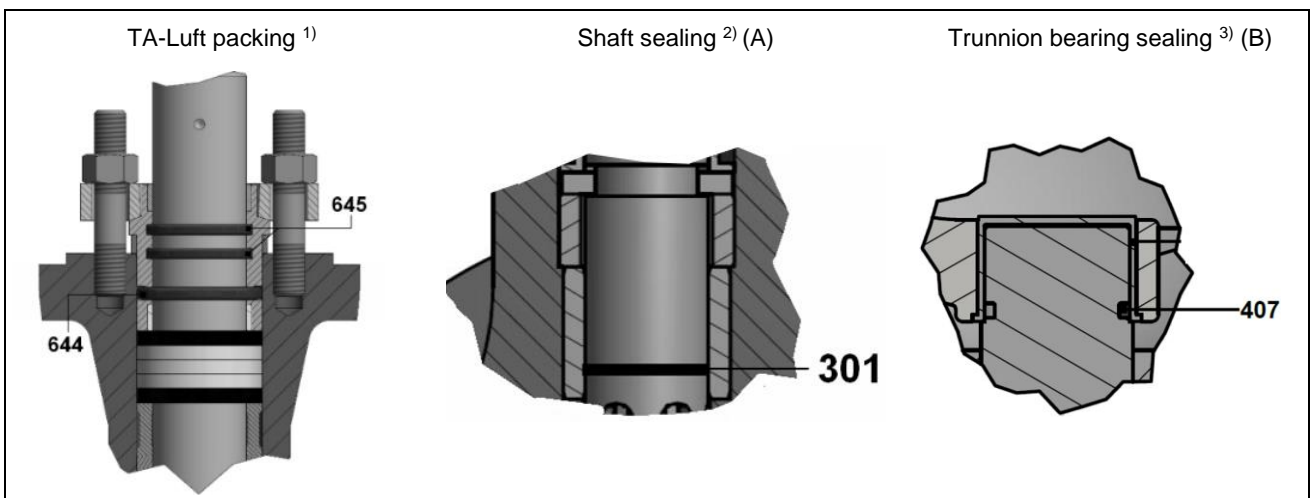
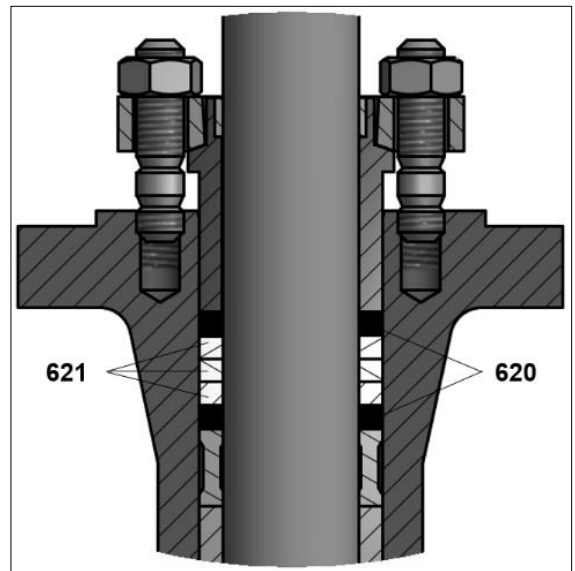
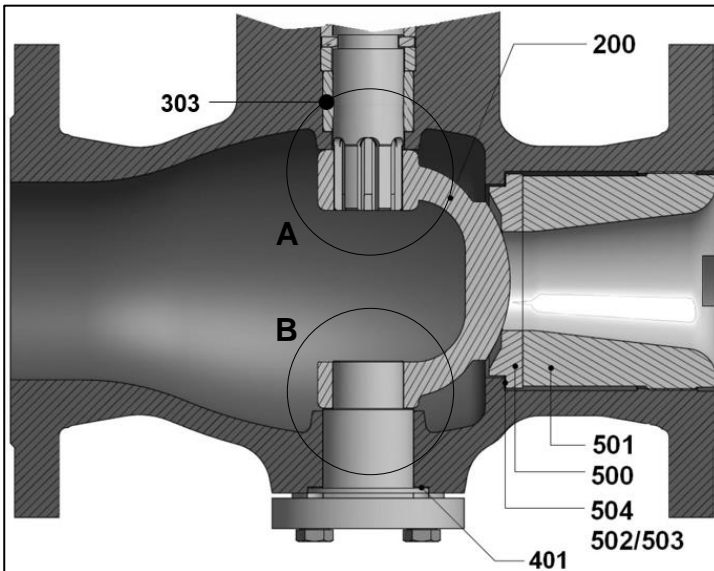
Edition August 2023 (Rev.01/06.06.2025)

■ Recommended spare/wear parts DN 25 to 400

			CO	2yo	5yo
102	Gasket	1	x	x	
200	Plug	1			x
301	O-ring ²⁾ (shaft sealing)	1	x	x	
303	Bushing (for non-metallic materials)	1	x	x	
401	Gasket	1	x	x	
407	O-ring ³⁾ (Trunnion bearing sealing)	1	x	x	
500	Seat ring	1			x
502	Shim ring	1	x	x	
503	Shim ring	1	x	x	
504	Gasket	1	x	x	
620	Packing ring *	2	x	x	
621	Packing cord *	3	x	x	
644	O-ring ¹⁾ (TA-Luft-Version)	1	x	x	
645	O-ring ¹⁾ (TA-Luft-Version)	2	x	x	

CO=commissioning; 2yo=2 years operation; 5yo=5 years operation

(*) Depending on the application, different packing ring materials and packing ring combinations can be used. The number of packing rings (5 + 4) stays constant.



■ Recommended spare/wear parts DN 500

		CO	2yo	5yo
200	Plug			x
301	O-ring ²⁾ (shaft sealing)	x	x	
303	Bushing (for non-metallic materials)	x	x	
407	O-ring ³⁾ (Trunnion bearing sealing)	x	x	
500	Seat ring			x
504	Gasket	x	x	
620	Packing ring *	x	x	
621	Packing cord *	x	x	
644	O-ring ¹⁾ (TA-Luft-Version)	x	x	
645	O-ring ¹⁾ (TA-Luft-Version)	x	x	

CO=commissioning; 2yo=2 years operation; 5yo=5 years operation

(*) Depending on the application, different packing ring materials and packing ring combinations can be used. The number of packing rings (5 + 4) stays constant.

