

PART LIST/ASSEMBLY DRAWING



Rotary Plug Valve · Type 72.3-02

ET004.027 EN

Version	DIN	ANSI
Valve Size	DN 25... 250	NPS 1... 10
Pressure Rating	PN 10, 16, 25, 40	CL 150, 300

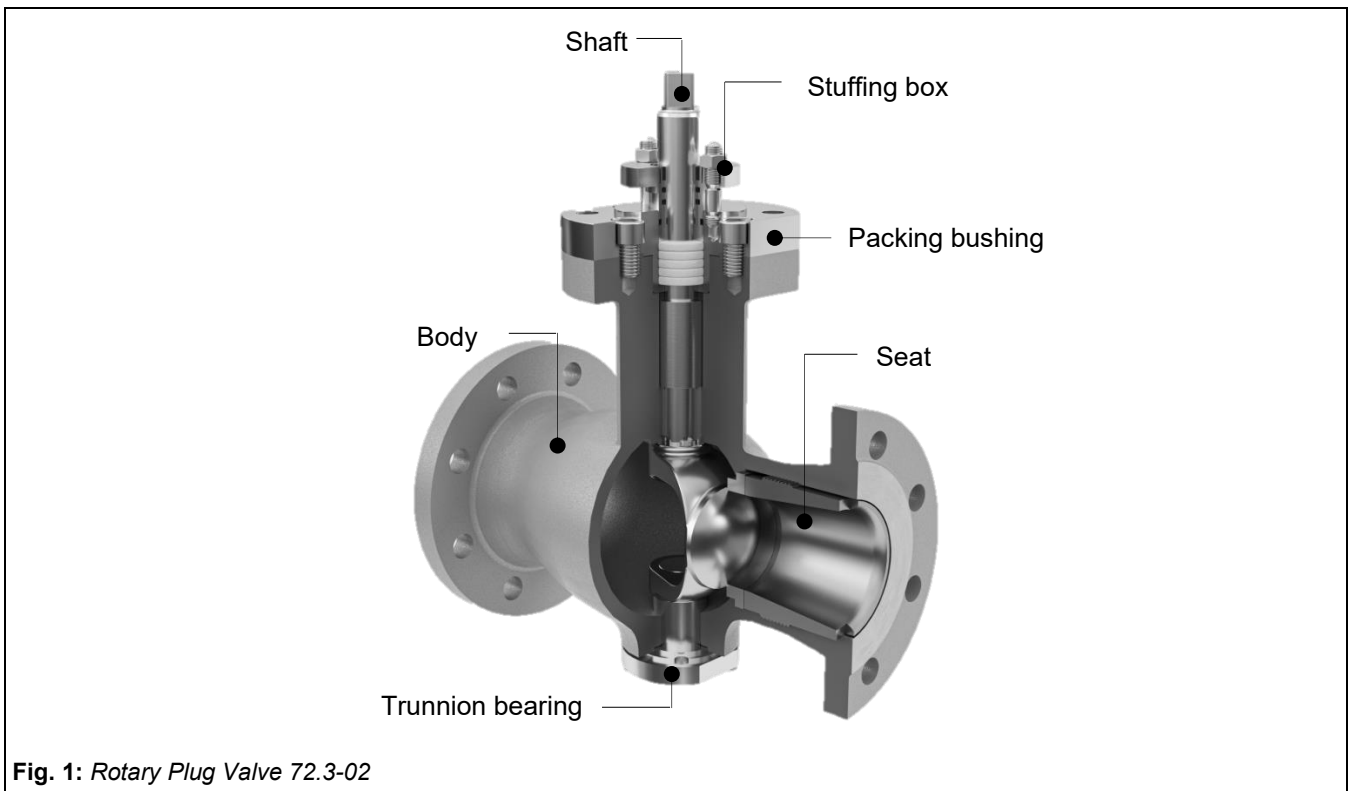
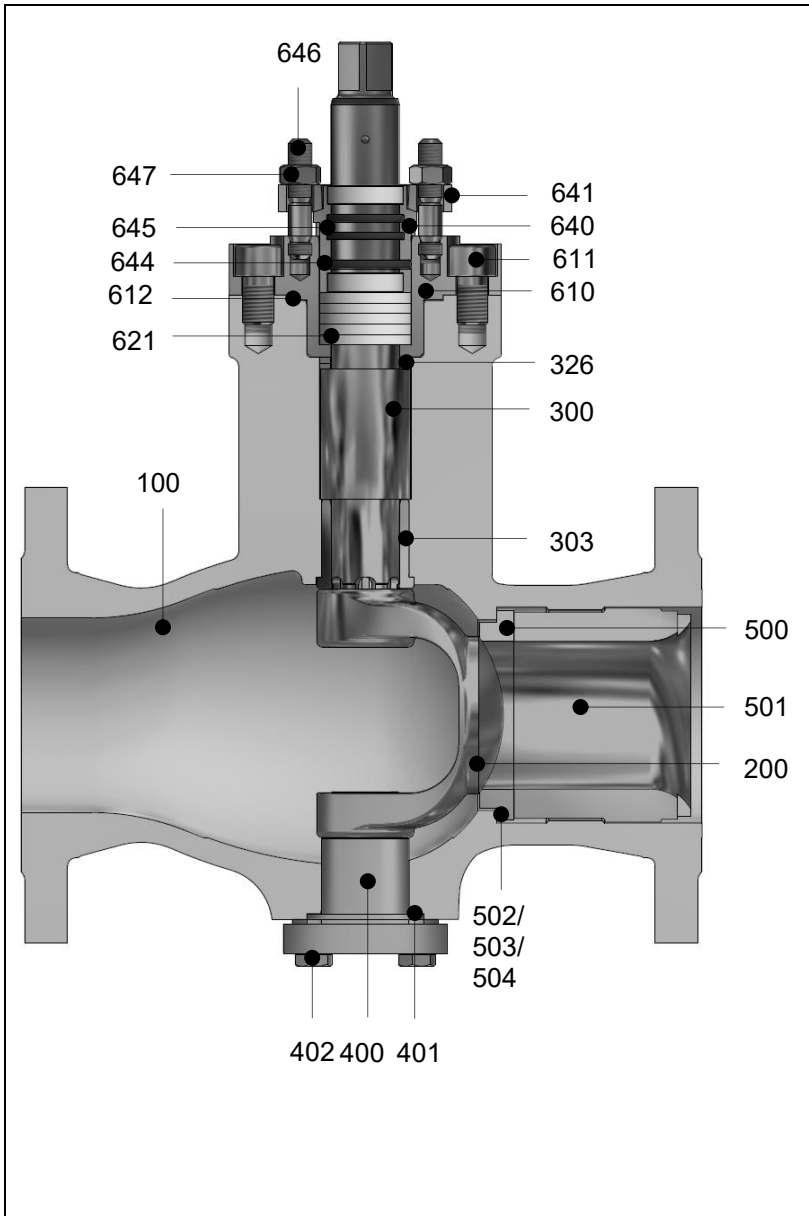


Fig. 1: Rotary Plug Valve 72.3-02

<p>Connection acc. to DIN EN ISO 5211</p> <p>Fig. 2: Square (Shaft Type AT)</p> <p>Fig. 3: Parallel Key</p>	<p>Connection for VETEC Actuator Type R and M</p> <p>Fig. 4: Parallel Key (Shaft Type R)</p>
--	---

Edition April 2026 (Rev.00)



100	Body	1
200	Plug	1
201	Bushing ³⁾	1
300	Shaft	1
301	O-ring ²⁾	1
302	Parallel key (see fig. 3, 4)	2
303	Guide bushing	1
326	Washer	2
400	Trunnion bearing	1
401	Gasket	1
402	Hex bolt	2
407	O-ring ³⁾	1
418	Hex screw (only for DN 25 / NPS 1)	2
500	Seat ring	1
501	Seat retainer	1
502	Shim ring	1
503	Shim ring	
504	Gasket	
610	Packing bushing	1
611	Socket screw	4
612	Gasket	1
621	Packing ring ^(*)	5
640	Stuffing box	1
642	Slide bearing	1
644	O-ring (VLE Version)	1
645	O-ring (VLE Version)	2
646	Stud	2
647	Hex Nut	2
653	Spacer (VLE Version)	1

(*) Depending on the application, different packing ring materials and packing ring combinations can be used. The number of packing rings (5) stays constant.

Optional versions

